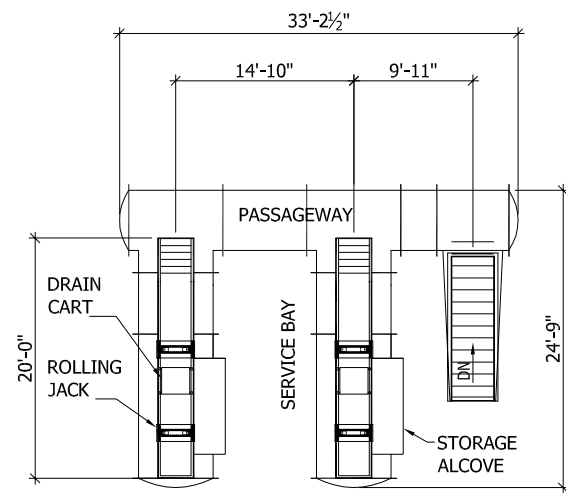
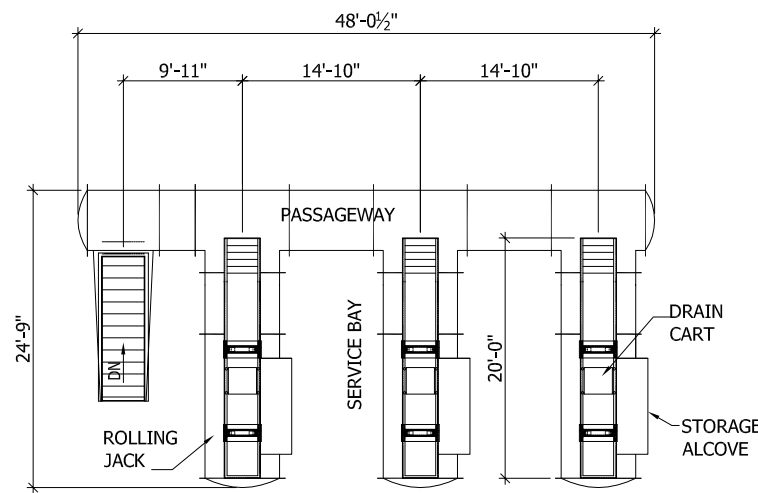


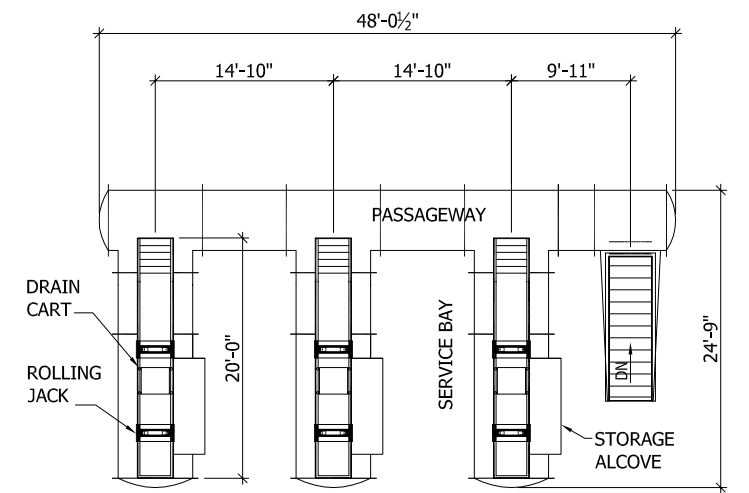
**2X20 STAIR AT LEFT (FLAT OR TANK)**  
 $\frac{1}{8}'' = 1'-0''$



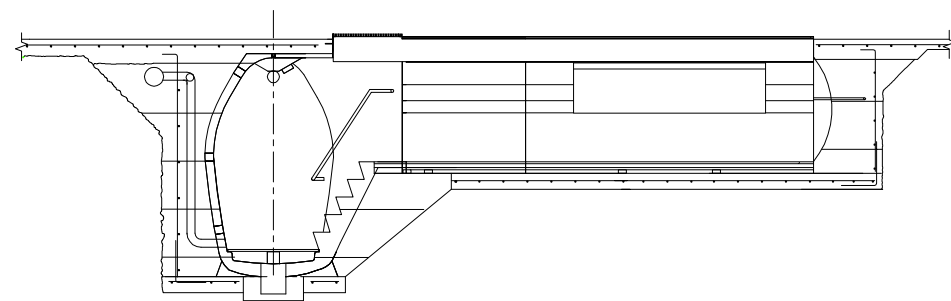
**2X20 STAIR AT RIGHT (FLAT OR TANK)**  
 $\frac{1}{8}'' = 1'-0''$



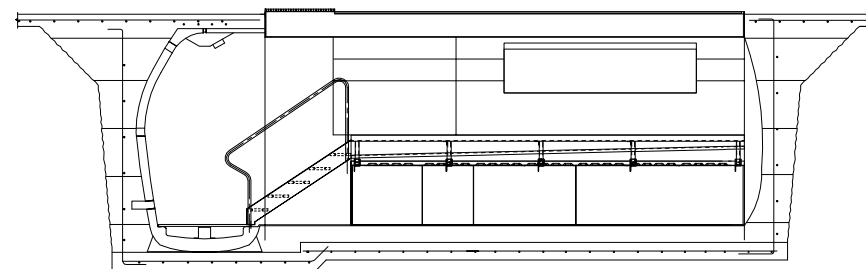
**3X20 STAIR AT LEFT (FLAT OR TANK)**  
 $\frac{1}{8}'' = 1'-0''$



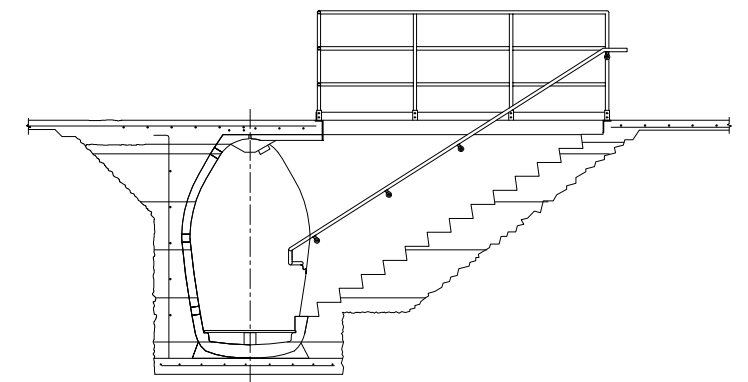
**3X20 STAIR AT RIGHT (FLAT OR TANK)**  
 $\frac{1}{8}'' = 1'-0''$



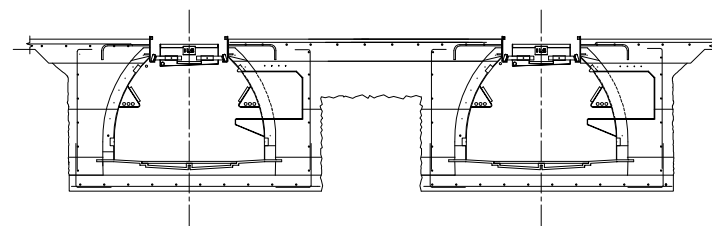
**PASSAGEWAY & SERVICE BAY SECTION**  
 $\frac{1}{4}'' = 1'-0''$  (FLAT BOTTOM DESIGN)



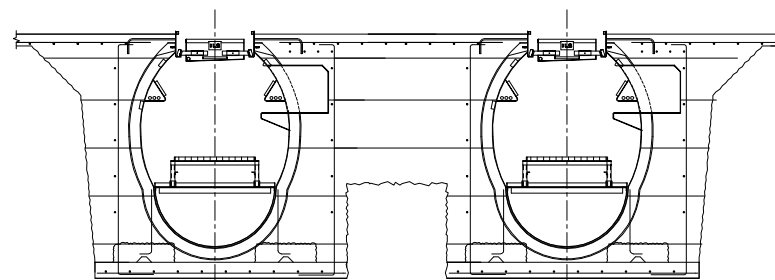
**PASSAGEWAY & SERVICE BAY SECTION**  
 $\frac{1}{4}'' = 1'-0''$  (TANK DESIGN)



**PASSAGE TUNNEL MAIN STAIR SECTION**  
 $\frac{1}{4}'' = 1'-0''$



**SERVICE BAY CROSS SECTION (2 BAY)**  
 $\frac{1}{4}'' = 1'-0''$  (FLAT BOTTOM DESIGN)



**SERVICE BAY CROSS SECTION (2 BAY)**  
 $\frac{1}{4}'' = 1'-0''$  (TANK DESIGN)

**NOTES:**

1. SERVICE BAY STANDARD SPACINGS ARE 14'-10" AND 13'-10".
2. SERVICE BAY MODULES HAVE A STANDARD LENGTH OF 12'-0".
3. NON-STANDARD DIMENSIONS ARE EASILY ACCOMMODATED.
4. ENVIROLUBE IS SUITABLE FOR NEW CONSTRUCTION AND RETRO-FIT APPLICATIONS. CONTACT ILS ENGINEERING (541-517-1393) FOR COMPLIMENTARY PRE-DESIGN SERVICES.
- 5.

© 2014 INTEGRATED LUBE SERVICE, INC

REVISIONS		
NO.	DATE	REMARKS

DESIGNED BY  
JERRY STEELE

DRAFTED BY  
MARTY VAUGHN

CHECKED BY  
MARK RICHARDS

**EXAMPLE DRAWINGS  
 AUTOMOTIVE OPTIONS  
 2 & 3 BAYS WITH PASSAGEWAY  
 14'-10" BAY CENTERS**



PO BOX 3227 - GRASS VALLEY - CA - 95945  
 800-700-3309

20'-0" BAYS AT 14'-10" CENTERS



DATE 05/20/2014

SHEET NO.

**EL1**